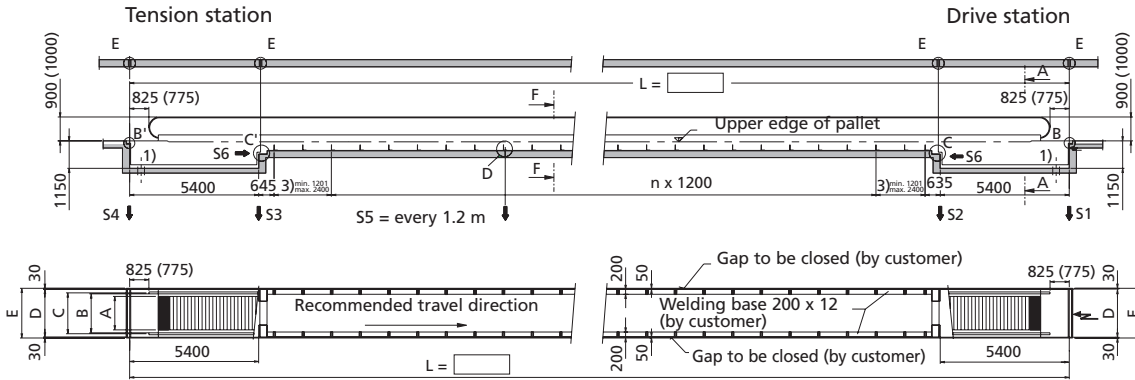


Schindler 9500

Type 45

Transportation length: max. 150 m
at an inclination of 0°
Balustrade: design P
Balustrade height: 900/1000 mm

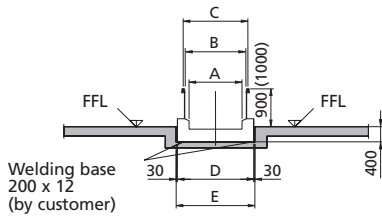
Truss in drive and tension stations
Inclination: 0°–6°
Pallet width: 1000/1200/1400 mm



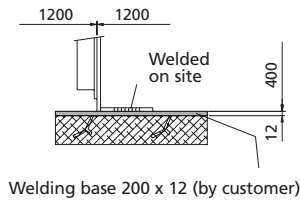
- 1) For outdoor installations a water drain shall be provided over the entire length of the concrete pit (by customer).
- 2) The support loads S1 and S4 are equally distributed over the width of the moving walk, whereas the support loads S2, S3, S5 and S6 are equally distributed among the supports on the left and right side. With a double drive, the support load S1 shall be increased by 5 kN.
- 3) Depending on project: min. 1201, max. 2400

All dimensions in mm.
All loads in kN.
Observe national regulations!
Subject to changes.
Please consult Schindler.

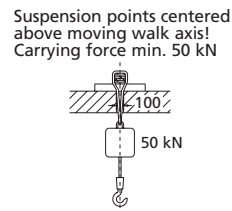
Section F-F



Detail D

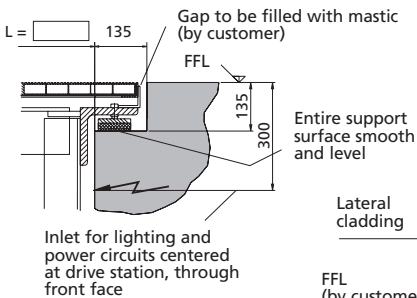


Detail E

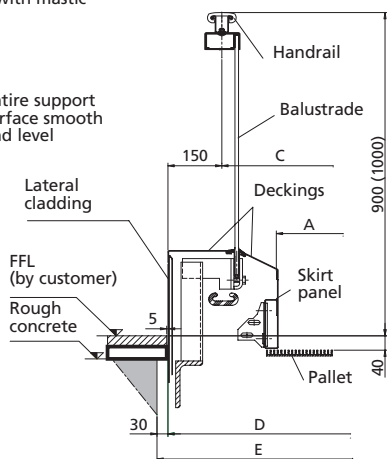


Detail B

(Detail B' mirror-inverted)

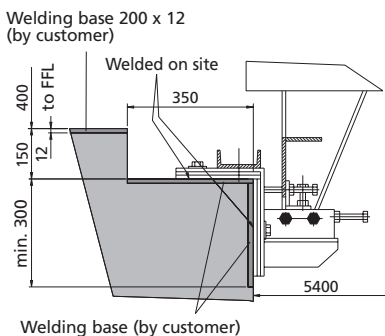


Section A-A



Detail C

(Detail C' mirror-inverted)



Max. support loads²⁾

Pallet width (mm)	1000	1200	1400
S1	40	46	52
S2	33	38	43
S3	34	39	44
S4	33	38	43
S5	9.5	11	12.5
S6	40	40	40
Pallet width (mm)	1000	1200	1400
A: Pallet width	1000	1200	1400
B: Width between handrails	1240	1440	1640
C: Handrail center distance	1320	1520	1720
D: Moving walk width	1620	1820	2020
E: Width of pit	1680	1880	2080

Motor rating table:

values for horizontal installation

v (m/s)	0.5			0.65		
A (mm)	1000	1200	1400	1000	1200	1400
Rating (kW)	Maximum length (m)					
1 x 5.5	50	43	39	39	34	30
1 x 7.5	69	61	54	54	47	42
1 x 11	104	91	81	81	71	63
1 x 15	130	114	101	102	89	79
2 x 11	150	150	150	150	132	117

For outdoor installations, feasibility must be checked by the supplying factory on the basis of climatic conditions.



Schindler